



Technical Bulletin N°1

January 20th 2008

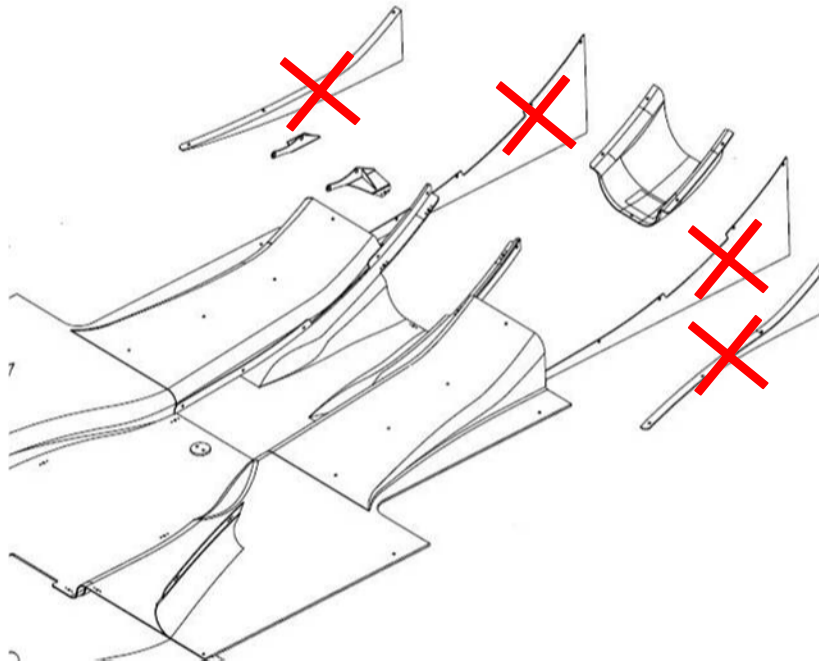
Reference: BT_2008_FR20_01
Date: January 22th 2008
Subject: 2008 Evolutions

From the first 2008 collective test, all the following parts must be removed from the cars to be in conformity with the 2008 technical regulation.

It is allowed to fix the holes.

Rear diffuser:

- 77 11 163 100 Central diffuser fences
- 77 11 163 101 Left diffuser fence
- 77 11 163 102 Right diffuser fence

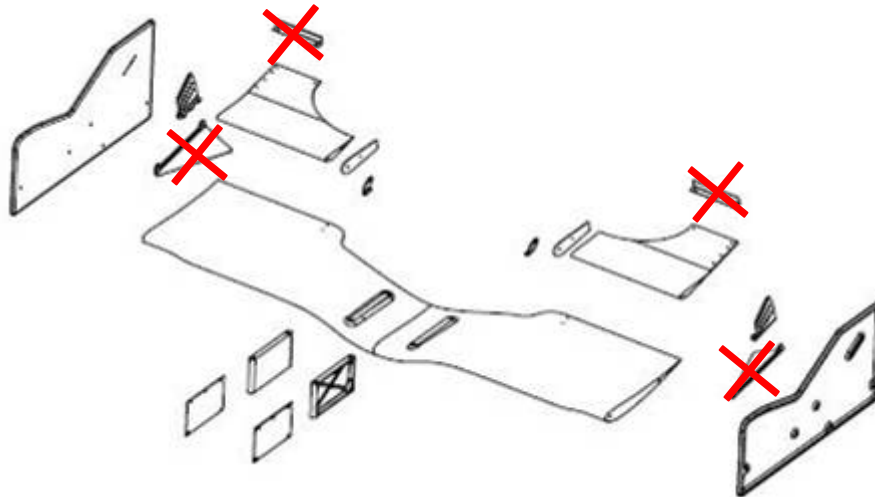




RENAULT
SPORT

Front wing:

- 77 11 163 079 Left flick-up
- 77 11 163 080 Right flick-up
- 77 11 163 088 Gurneys



In addition, the use of the highest line of the rear flap regulations holes (From E1 to E6), will be prohibited. Note: new parts will progressively be sold without this line.

