



MEDICAL CERTIFICATE

Personal information

Name _____ Personal ID / Motorsport-id _____

Address _____

Telephone _____ e-mail _____

License level Basic National International

Medical information

Height _____ Weight _____ Blood Group _____ Blood Pressure _____ fP-Gluc _____

Permanent medication _____ Yes/No

Which? _____

Vaccinated against tetanus, when? _____

Must use glasses while driving _____ Yes / No

Vision without glasses

Right _____ Left _____ Comp _____

Ishihara _____ Normal / Deficient

120 degree vision _____ N/P

Central vision without scotoma 20 degrees. _____ N/P

Vision with glasses

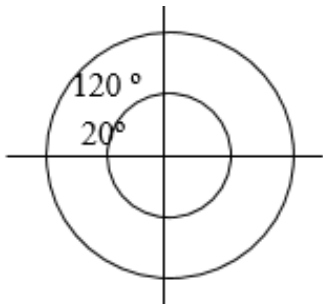
Right _____ Left _____ Comp _____

Stereoscopic vision _____ Normal / Deficient

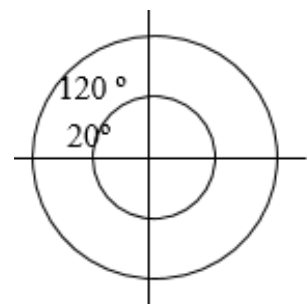
Nystagmus _____ Normal / Deficient

Romberg standing _____ N/P

Field of vision



Draw any insufficiencies



Cardiovascular aptitude examination

Blood Pressure Done _____ (pp.kk.vvvvv) _____(N/P)

Resting - /Stress - EKG Done _____ (pp.kk.vvvvv) _____(N/P)

Heart auscultation _____(N/P) lung auscultation _____(N/P)

For any applicants of an International Driver's Licence an blood pressure is taken every year and resting EKG every two years or earlier if necessary. From the age of 45 years and every three years, a consultation with a cardiologist specialist will be requested. If this doctor deems it useful, depending on the possible symptoms and signs, he may ask for further investigations including a stress test. From the age of 45 years a cardiologist specialists statement will be requested for issuing a licence for 2020.

It is recommended for all national licence applicants of 45 years of age or more, to have the stress EKG done at their medical exams in order to check their medical condition.If the applicant is 70 years of age or more, medical exams and the stress test must be taken annually.

Hearing > 5m

Right Normal / Deficient _____

Left Normal / Deficient _____

Amputated extremities Where? Draw into picture _____ Yes /No

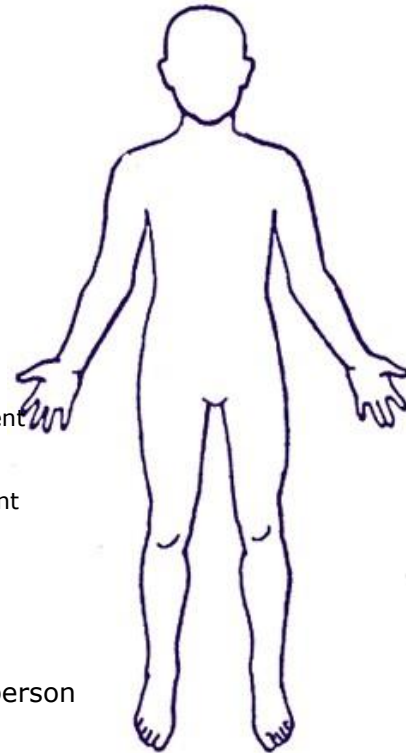
Impaired functionality or amputation of extremities? _____ Yes/No

Where? Draw into picture

Functionality of extremities _____ Normal / Deficient

Impaired functionality of extremities >50 % _____ Yes /No

Hand grip strength _____ Normal / Deficient



Physician's signature and approval

It is my opinion that a competition licence can be issued for the examined person

Yes / No

Date, Place, Physician's signature and Doctor ID No. stamp

NB! The medical certificate is valid for 3 months from the date of physician's signature. Competitor should keep a copy of the certificate.

Address: AKK-Motorsport/Lisenssit P.O. Box 19,FI-01301 Vantaa or e-mail to lisenssit@autourheilu.fi